



PE

1016 Jaw Crusher



The Affordable Alternative in New Crushing Equipment

Standard Features

- Single wall main frame of stress relieved steel
- Open back for easy maintenance
- All working parts lubricated for moisture and dirt protection
- Reversible manganese jaw dies for maximum wear life
- Spherical, self-aligning roller bearings
- Isolated, close running annular/labyrinth seals protect bearings from dust and water
- Removable pitman/bearing assembly for maintenance ease
- Manual shim adjustment
- Cast steel pitman with machined barrel
- Machined pitman face for full swing jaw die support

Optional Features

- Electric motor
- Drive sheave and bushing

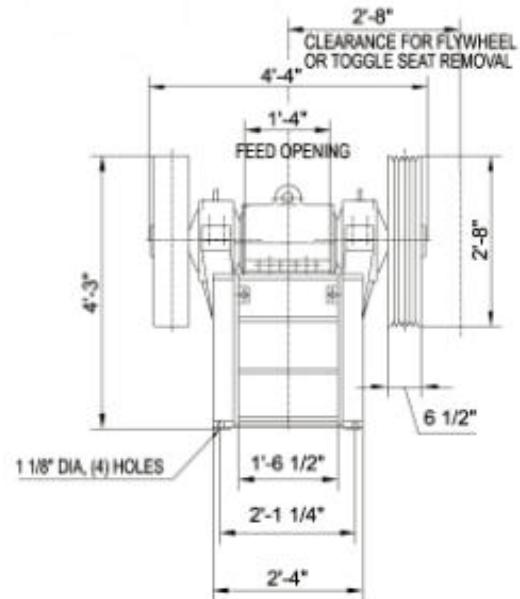
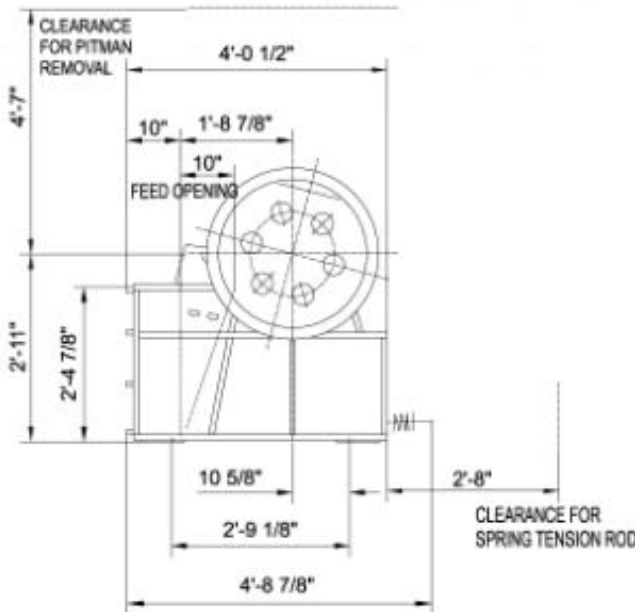


The Affordable Alternative in New Crushing Equipment

Specifications

Feed opening	10" × 16"
Discharge setting	3/4" to 2-1/2"
Maximum feed size	8"
Production range	5 to 30 TPH
Discharge setting	
3/4"	5 TPH
1"	15 TPH
1-1/2"	15 to 20 TPH
2"	20 to 25 TPH
2-1/2"	25 to 30 TPH
Required horsepower	25 HP
Rotor speed	300 RPM

Weights (LBS)	
Crusher	6,300
Flywheel	495
Swing jaw die	250
Fixed jaw die	200
Standard part dimensions (inches)	
Fixed jaw length	25
Swing jaw length	29
Bearing information	
Size	140 × 300 × 102 mm
Bearing No.	22328CC/W33



Note: Because of the nature of jaw crushers, it is not possible to produce a product all of which will pass a screen opening equivalent to the discharge setting. Oversize should be expected, and will fluctuate depending on the rock characteristics. For close settings, all undersize material should be screened off to increase the effectiveness of the jaw and to reduce wear on the jaw dies. Although the crusher may be configured to have a different discharge opening than indicated above, this crusher model is not designed to operate at other settings.