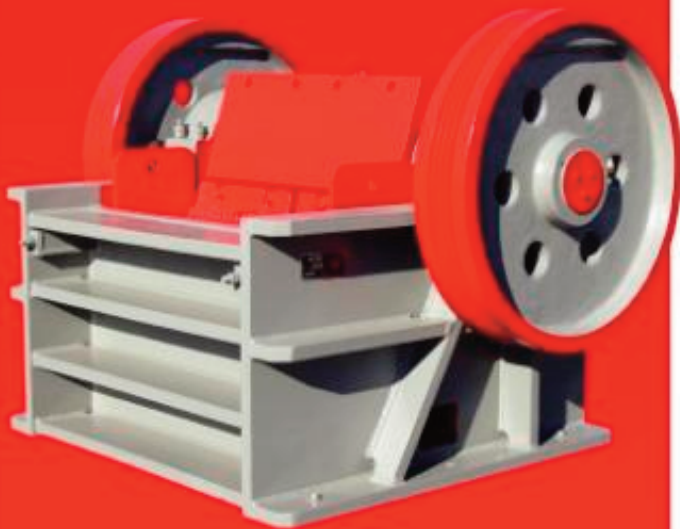




PEX

1251 Jaw Crusher



The Affordable Alternative in New Crushing Equipment

Standard Features

- Single wall main frame of stress relieved steel
- Open back for easy maintenance
- All working parts lubricated for moisture and dirt protection
- Reversible manganese jaw dies for maximum wear life
- Spherical, self-aligning roller bearings
- Isolated, close running annular/labyrinth seals protect bearings from dust and water
- Removable pitman/bearing assembly for maintenance ease
- Hydraulic or manual shim adjustment
- Heavy duty, cast steel pitman with machined barrel
- Machined pitman face for full swing jaw die support
- Smooth running flywheels with compression ring fastening arrangement
- Pitman wear plate

Optional Features

- Electric motor
- Drive sheave and bushing

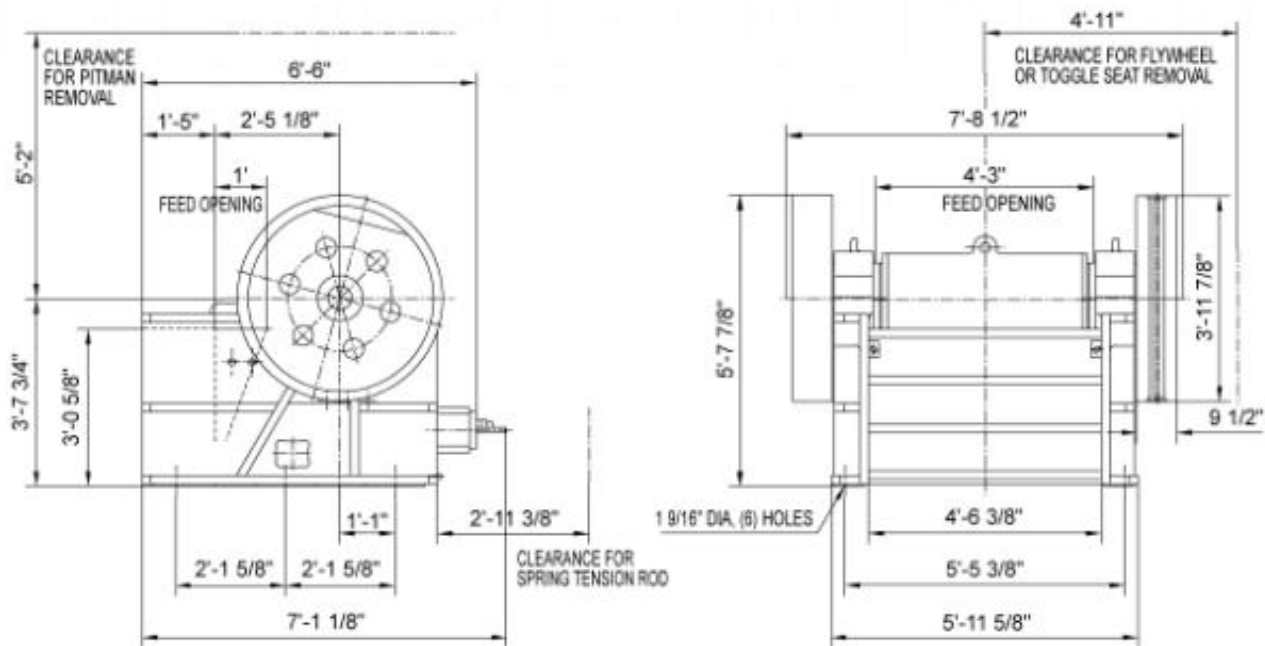


The Affordable Alternative in New Crushing Equipment

Specifications

Feed opening	12" × 51"
Discharge setting	3/4" to 3 1/2"
Maximum feed size	10"
Production range	50 to 130 TPH
Discharge setting	
3/4"	50 to 70 TPH
2"	55 to 90 TPH
2-1/2"	75 to 100 TPH
3"	85 to 110 TPH
3-1/2"	100 to 130 TPH
Required horsepower	100 HP
Rotor speed	300 RPM

Weights (LBS)	
Crusher	25,000
Flywheel	1,980
Swing jaw die	1,100
Fixed jaw die	1,045
Standard part dimensions (inches)	
Fixed jaw length	32"
Swing jaw length	33"
Bearing information	
Size	220 × 460 × 145 mm
Bearing No.	22344CC/W33



Note: Because of the nature of jaw crushers, it is not possible to produce a product all of which will pass a screen opening equivalent to the discharge setting. Oversize should be expected, and will fluctuate depending on the rock characteristics. For close settings, all undersize material should be screened off to increase the effectiveness of the jaw and to reduce wear on the jaw dies. Although the crusher may be configured to have a different discharge opening than indicated above, this crusher model is not designed to operate at other settings.