



## The Affordable Alternative in New Crushing Equipment

# RMF

Series Vibrating Grizzly Feeders

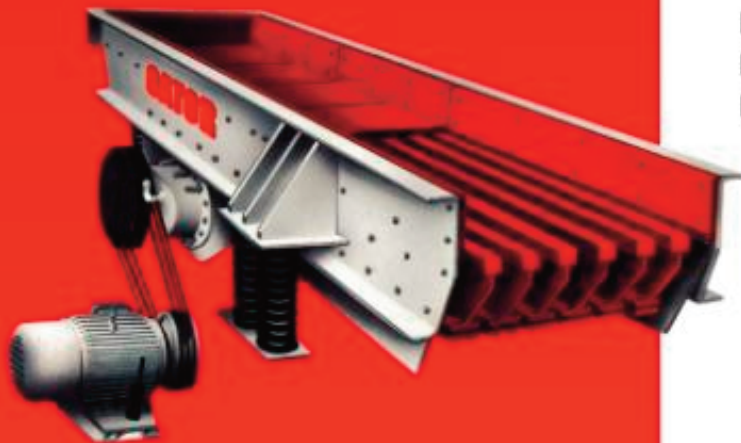
Gator Machinery Company specializes in designing, manufacturing and selling quarry and mining related products. The RMF Series Vibrating Grizzly Feeders are designed with the tough requirements of today's mining & aggregate producers in mind. Their heavy-duty construction allows these feeders to handle maximum loads at steady rates. With their adjustable, heavy-duty grizzly bars, the RMF feeder can change to meet the job requirements on short notice. With sizes ranging from 38" x 12' to the 58" x 20' many of today's mining & aggregate producers are choosing the Gator RMF for their grizzly feeder needs.

### Standard Features

- Welded, stress-relieved steel box
- Bolt-on AR Steel side liners
- Bolt-on AR Steel feeder pan liners
- Reinforced under pan tub
- Welded spring supports with heavy-duty coil springs
- Outboard front and rear spring mountings
- Unbalanced, counter-rotating vibrator unit shafts
- Heavy duty, spherical, self aligning roller bearings
- Oil bath shaft and bearing lubrication
- Sight glass oil guage
- Helical timing gears
- Bolted, tapered grizzly bars
- Pivoting motor base

### Optional Features

- Electric motor
- Motor drive sheave/Bushing





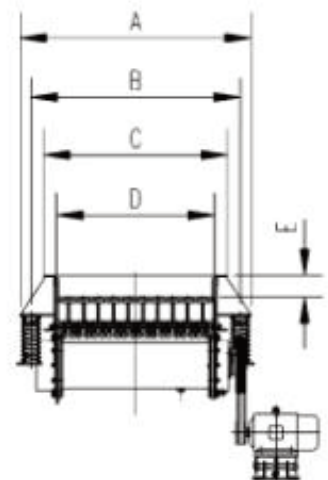
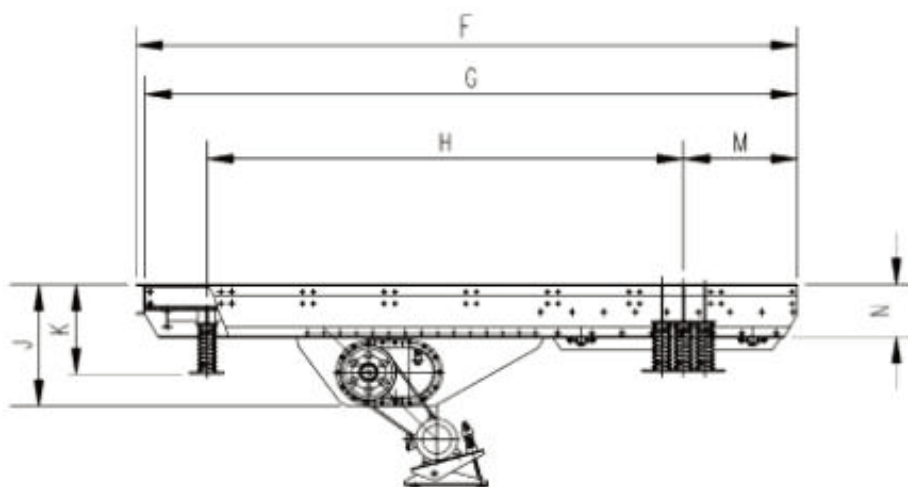
## The Affordable Alternative in New Crushing Equipment

### Specifications

| Model   | Size of funnel (L x W)<br>INCHES | Max feed size<br>INCHES | Bearing size<br>MM | Capacity<br>T/M | Speed of eccentric shaft<br>RPM | Motor power<br>HP | Weight<br>(Excluding Motor) BS |
|---------|----------------------------------|-------------------------|--------------------|-----------------|---------------------------------|-------------------|--------------------------------|
| RMF3812 | 144 × 38                         | 20                      | 90                 | 100-200         | 500-800                         | 15                | 8,750                          |
| RMF3816 | 192 × 38                         | 20                      | 100                | 100-250         | 500-800                         | 20                | 11,380                         |
| RMF4616 | 192 × 46                         | 24                      | 100                | 100-400         | 500-800                         | 25                | 12,600                         |
| RMF4619 | 228 × 46                         | 24                      | 100                | 100-400         | 500-800                         | 25                | 15,200                         |
| RMF5220 | 240 × 52                         | 30                      | 110                | 100-450         | 500-800                         | 30                | 16,200                         |
| RMF5820 | 240 × 58                         | 35                      | 130                | 200-500         | 500-800                         | 50                | 19,400                         |

### Dimensions (Inches)

| Model   | A        | B        | C        | D  | E      | F         | G         | H        | J        | K        | M        | N        |
|---------|----------|----------|----------|----|--------|-----------|-----------|----------|----------|----------|----------|----------|
| RMF3812 | 65 1/2   | 57 5/8   | 48 3/16  | 38 | 8 1/8  | 152 13/16 | 149 5/8   | 106 5/16 | 41 15/16 | 34 15/16 | 31 1/2   | 19 11/16 |
| RMF3816 | 65 1/2   | 57 5/8   | 48 3/16  | 38 | 8 1/8  | 195 3/16  | 191 15/16 | 126 1/4  | 42 15/16 | 34 15/16 | 44 1/8   | 19 11/16 |
| RMF4616 | 71 15/16 | 64 1/8   | 54 5/8   | 46 | 8 1/8  | 195 3/16  | 191 15/16 | 126 1/4  | 42 15/16 | 34 15/16 | 44 1/8   | 19 11/16 |
| RMF4619 | 71 15/16 | 64 1/8   | 54 5/8   | 46 | 7 7/8  | 236 1/4   | 233       | 170 7/8  | 54 3/4   | 43 1/8   | 42 7/16  | 31 1/2   |
| RMF5220 | 78 1/8   | 70 1/4   | 61 7/16  | 52 | 8 1/16 | 243 1/4   | 240       | 144 7/8  | 43 11/16 | 33 3/8   | 73 1/16  | 19 11/16 |
| RMF5820 | 84 13/16 | 76 15/16 | 67 15/16 | 58 | 8 1/16 | 243 1/4   | 240       | 175 3/16 | 45 1/4   | 33 3/8   | 41 15/16 | 19 11/16 |



Design & Specifications Subject to Change Without Notice