



RMS

Series Vibrating Inclined Screens



The Affordable Alternative in New Crushing Equipment

Gator Machinery Company specializes in designing, manufacturing and selling quarry and mining related products. The RMS Series Vibrating Inclined Screens was designed with the rugged requirements of today's mining & aggregate industry in mind, durable, highly efficient, low noise level and ease of maintenance make the RMS Screens the choice of many mining & aggregate producers. With sizes ranging from the 4' x 10' 2-deck screen to the 8' x 20' 3-deck screen and designed to be used dry or wet, the RMS Inclined Screen can meet today's material producers needs.

Standard Features

- Huck Bolt construction
- Variable stroke & speed combinations
- Bolt on feed box and discharge lip liners
- Rubber cushioned deck ribs
- Tubular cross members
- Positive grease-type eccentric shaft bearings
- Heavy duty, two bearing eccentric shaft
- Heavy duty screen cloth support frames
- 8 Heavy duty springs & brackets
- Flywheel and drive sheave guards
- Can be used wet or dry

Optional Features

- Electric motor
- Motor drive sheave/Bushing



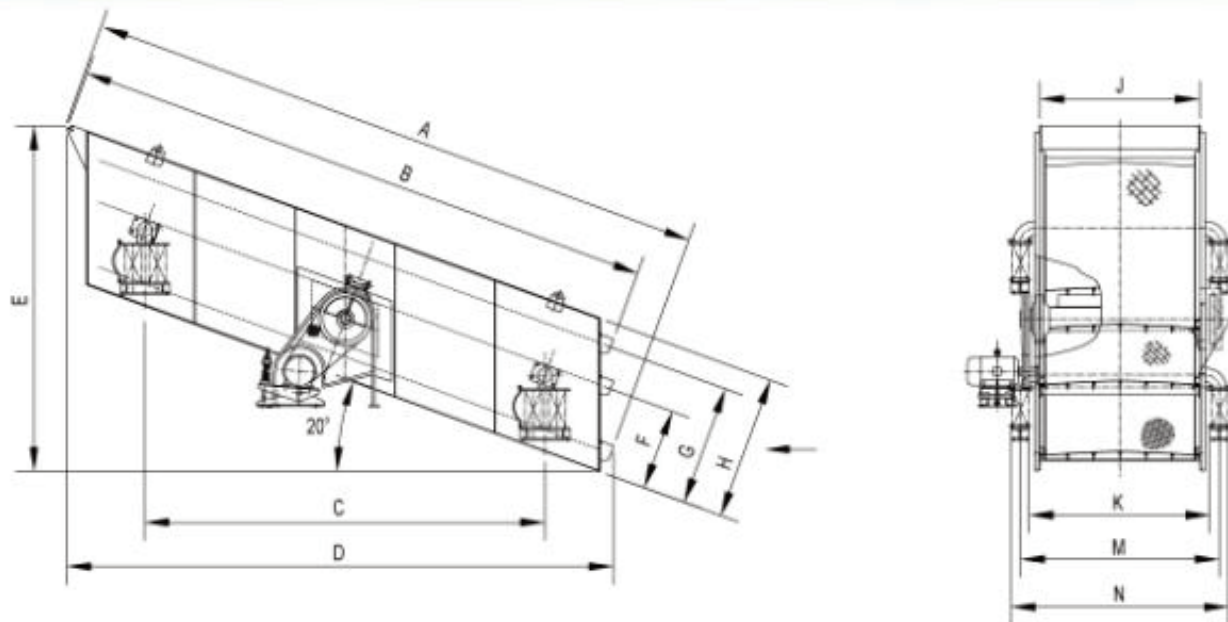
The Affordable Alternative in New Crushing Equipment

Specifications

| Model | Number of decks | Deck size FEET | Max feed size INCHES | Bearing size MM | Capacity TPH | Shaft speed RPM | Double amplitude MM | Motor power HP | Weight (Excluding Motor) BS |
|------------|-----------------|-------------------|-------------------------|--------------------|-----------------|--------------------|------------------------|-------------------|--------------------------------|
| RMS410 × 2 | 2 | 4 × 10 | 8 | 100 | 50-120 | 850 | 8 | 10 | 4,381 |
| RMS410 × 3 | 3 | 4 × 10 | 8 | 100 | 50-120 | 850 | 8 | 10 | 5,295 |
| RMS514 × 2 | 2 | 5 × 14 | 16 | 130 | 50-200 | 850 | 8 | 20 | 7,949 |
| RMS516 × 3 | 3 | 5 × 16 | 16 | 130 | 100-250 | 850 | 8 | 20 | 10,659 |
| RMS616 × 3 | 3 | 6 × 16 | 16 | 140 | 100-350 | 850 | 8 | 25 | 11,916 |
| RMS620 × 3 | 3 | 6 × 20 | 16 | 140 | 200-450 | 850 | 8 | 30 | 14,500 |
| RMS820 × 3 | 3 | 8 × 20 | 16 | 160 | 300-600 | 850 | 8 | 50 | 19,300 |

Dimensions (Inches)

| Model | A | B | C | D | E | F | G | H | J | K | M | N |
|------------|---------|---------|---------|----------|---------|--------|--------|--------|----|---------|---------|---------|
| RMS410 × 2 | 150 3/8 | 141 3/4 | 74 | 132 7/8 | 85 1/4 | 30 3/4 | - | 37 3/8 | 48 | 57 3/8 | 65 1/4 | 73 1/8 |
| RMS410 × 3 | 154 3/8 | 140 1/2 | 74 | 132 1/16 | 99 1/2 | 30 3/4 | 45 1/4 | 51 1/8 | 48 | 57 3/8 | 65 1/4 | 73 1/8 |
| RMS514 × 2 | 199 3/8 | 189 1/4 | 110 1/4 | 170 3/8 | 110 5/8 | 37 | - | 46 1/2 | 59 | 69 | 76 7/8 | 84 3/4 |
| RMS516 × 3 | 232 5/8 | 216 1/8 | 135 1/2 | 201 5/8 | 139 3/8 | 37 | 54 3/4 | 65 | 59 | 69 | 76 7/8 | 84 3/4 |
| RMS616 × 3 | 232 5/8 | 216 1/8 | 135 1/2 | 201 5/8 | 139 3/8 | 37 | 54 3/4 | 65 | 72 | 82 | 89 7/8 | 97 3/4 |
| RMS620 × 3 | 280 5/8 | 264 1/8 | 180 1/2 | 246 5/8 | 155 3/4 | 37 | 54 3/4 | 65 | 72 | 79 5/8 | 89 7/8 | 100 1/8 |
| RMS820 × 3 | 292 1/8 | 272 1/8 | 180 1/2 | 251 1/2 | 175 5/8 | 39 | 64 5/8 | 81 7/8 | 96 | 107 7/8 | 118 1/8 | 128 3/8 |



Design & Specifications Subject to Change Without Notice