



## The Affordable Alternative in New Crushing Equipment

# RMSB

410 x 2 Deck Buzzer Screen

### Standard Features

- Spring action design
- Rubber cushion channels protect deck ribs
- Heavy duty screen pans
- Rectangular cross members
- Positive grease-type eccentric shaft bearings
- Heavy duty eccentric shaft
- Easily accessible spring assembly
- Heavy duty screen cloth support frames
- Heavy duty spring brackets with maximum contact area
- Weld free, single plate pan sides
- Eight leaf spring construction
- Removable transport supports

### Optional Features

- Electric motor
- Motor drive sheave/Bushing

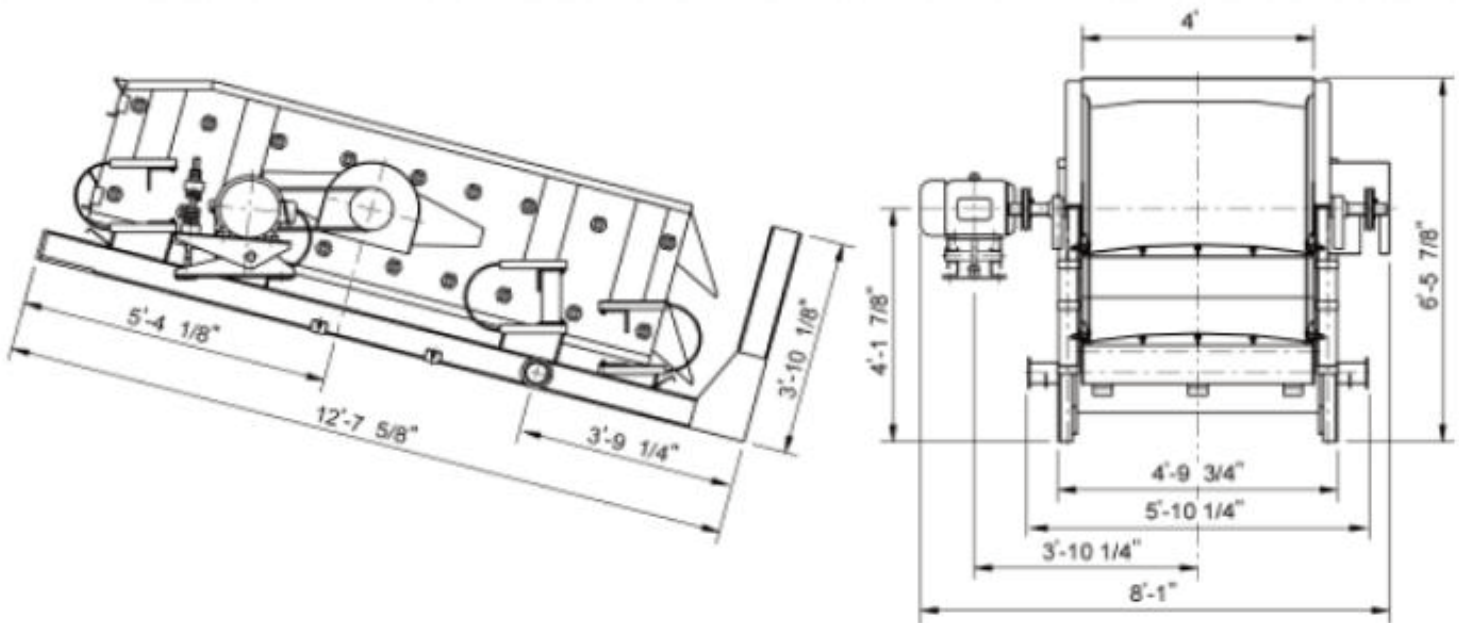




## The Affordable Alternative in New Crushing Equipment

### Specifications

Number of decks .....	2	Height of pan sides .....	35"
Leaf springs .....	8	Minimum clearance (top deck) .....	10"
Operating angle .....	5° to 15°	Minimum clearance (bottom deck) .....	19"
Electric motor .....	10 HP	Weight .....	4,300 LBS
Shaft speed .....	970 RPM	Bearings .....	80 mm
Maximum feed size .....	1 1/2"	Drive sheave .....	5"
Tons per hour .....	100 TPH	Driven sheave .....	9"



Design & Specifications Subject to Change Without Notice